



**USB 3.2 Extender
up to 330 feet**

USER MANUAL

USB3-EX330R-K

*Follow us on Youtube
and Facebook*



www.orei.com

Table of Contents

Introduction	04
Features	05
Package Contents	05
Specifications	06
Operation Controls and Functions	07
Application Example	09
FAQs & Troubleshooting	10

Thank you for purchasing this product

For optimum performance and safety, please read these instructions carefully before connecting, operating or adjusting this product. Please keep this manual for future reference.

Surge protection device recommended

This product contains sensitive electrical components that may be damaged by electrical spikes, surges, electric shock, lightning strikes, etc. Use of surge protection systems is highly recommended in order to protect and extend the service life of your equipment.

Please Activate your warranty by registering our product through the link below - <https://www.orei.com/pages/warranty-registration>

Technical Support

Need Help?

Our experienced Technical Support Team is here for you to answer your questions, give technical advice or help troubleshoot your project to get you installed on time and on budget. Call, email or chat with us now.

OREI Live Technical Support Hours

US team (US/Canada/Mexico): Monday-Friday, 9 a.m. - 5 p.m. Central Time

Support Email - info@orei.com | **Support Number** - 877-290-5530

Or

Chat Live on www.orei.com

Send us an instant message now. Our Technical Support Team will respond momentarily. Available during live support hours.

Introduction

The USB3-EX330R-K USB 3.0 Extender is the ultimate solution for remote USB access. Seamlessly extending connections up to 330 feet via CAT6/7 Ethernet cable, this device empowers you to effortlessly access webcams and USB drives from a distance. The device features a compact design with Plug & Play functionality for easy setup.



Features & Package Contents

1. Extend USB 3.2 signals up to 330 Feet/100M over a CAT 6 cable
2. Data transfer rate up to 5Gbps
3. Backward compatible with USB 2.0 and 1.1
4. 4 USB ports on the Receiver with 2 ports each supporting 1.5A & 1A
5. Power over Cable; only needs a power adapter at one end either the Transmitter or the Receiver
6. Plug & Play setup. No drivers required

Package Contents

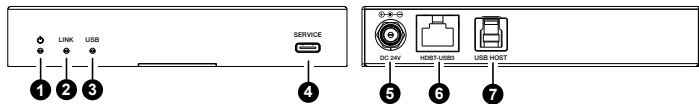
1.	USB3-EX330R-K Transmitter	1pcs
2.	USB3-EX330R-K Receiver	1pcs
3.	Mounting Ear	4pcs
4.	Machine Screw (KM3*4)	8pcs
5.	Power Adapter	1pcs
6.	User Manual	1pcs

Specifications

Technical	
USB Protocol	USB 3.2 Gen1
Transmission Rate	Up to 5Gbps
Transmission Distance	100m/328ft over CAT6a (F/FTP) cable
ESD Protection	IEC 61000-4-2: ±8kV (Air-gap discharge) , ±4kV (Contact discharge)
Connections	
Transmitter	Input: 1 × USB HOST [USB-B, 9pin Female] Output: 1 × HDBT-USB3 [RJ45, Female] Control: 1 × SERVICE [USB-C, Update Port]
Receiver	Input: 1 × HDBT-USB3 [RJ45, Female] Output: 4 × USB A [9pin Female] Control: 1 × SERVICE [USB-C, Update Port]
Mechanical	
Housing	Metal Enclosure
Color	Black
Dimensions	Transmitter / Receiver: L: 130mm / 5.11in × W: 70mm / 2.75in × H: 23mm / 0.90in
Weight	Transmitter: 275g / 9.7oz, Receiver: 285g / 10oz
Power Supply	Input: AC 100-240V 50/60Hz Output: DC 24V/2A (US/EU standards, CE/FCC/UL certified)
Power Consumption	TX: 2.64W (Max); RX: 33W (Max) PoC Power Supply: 41.3W (Max)
Operating Temperature	0°C ~ 40°C / 32°F ~ 104°F
Storage Temperature	-20°C ~ 60°C / -4°F ~ 140°F
Relative Humidity	20-90% RH (non-condensing)

Operation Controls and Functions

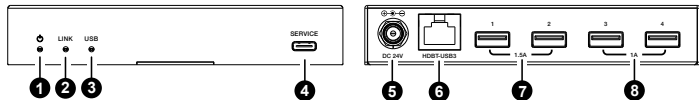
Transmitter Panel



No.	Name	Function Description
1.	POWER LED	The LED will light up when the Transmitter is powered on.
2.	LINK LED	Connection signal indicator. <ul style="list-style-type: none">▪ On: Transmitter and Receiver are connected and linked.▪ Off: Transmitter and Receiver are not connected.
3.	USB LED	USB signal indicator. <ul style="list-style-type: none">▪ On: USB 3.0 signal is detected.▪ Blinking: USB 2.0 signal is detected.▪ Off: USB signal is not detected.
4.	SERVICE	Firmware update port.
5.	DC 24V	Connect the power adapter
6.	HDBT-USB3	Connect a CAT6/7 cable. The other end connects to the Receiver.
7.	USB HOST	USB 3.2 Gen 1 Type B port. Connect to a computer or laptop.

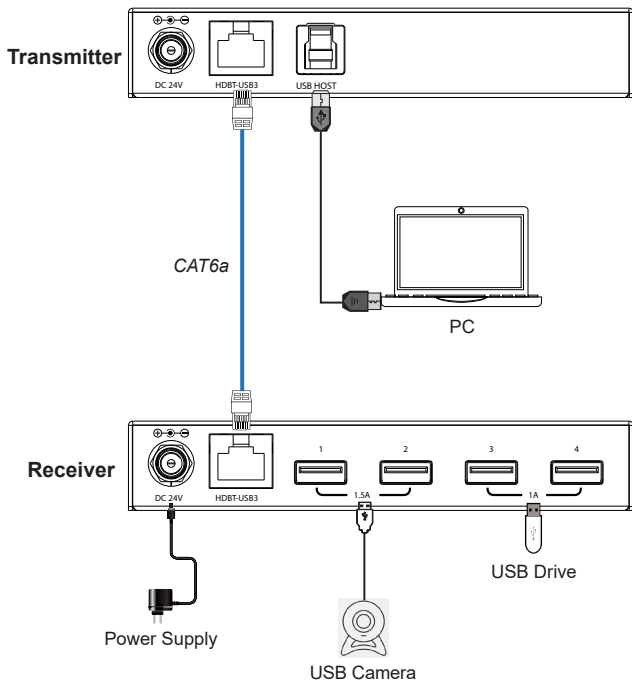
Operation Controls and Functions

Receiver Panel



No.	Name	Function Description
1.	POWER LED	The LED will light up when the Receiver is powered on.
2.	LINK LED	Connection signal indicator. <ul style="list-style-type: none">• On: Transmitter and Receiver are connected and linked.• Off: Transmitter and Receiver are not connected.
3.	USB LED	USB signal indicator. <ul style="list-style-type: none">• On: USB 3.0 signal is detected.• Blinking: USB 2.0 signal is detected.• Off: USB signal is not detected.
4.	SERVICE	Firmware update port.
5.	DC 24V	Connect the power adapter
6.	HDBT-USB3	Connect a CAT6/7 cable. The other end connects to the Transmitter.
7.	USB 1/2	Connect to USB devices like USB drives, webcams, etc. Max output up to 5V/1.5A.
8.	USB 3/4	Connect to USB devices like USB drives, webcams, etc. Max output up to 5V/1A.

Application Example



FAQs & Troubleshooting

1. What kind of USB devices can I connect with this extender?

You can connect USB drives, webcams, etc. Basically any USB device that you want to access remotely.

2. Can I access my security cameras through this device?

Yes, if you have security cameras in your home or office or factory, you can access them through this device.

3. The device is not working.

Check if the connections are made correctly.
Try changing the CAT cable.
Use a different USB port on the PC or Laptop

Still have some questions?

Please feel free to contact us at: info@orei.com. OR Fill out the form on the 'Contact Us' page on the website.

Our team will be more than happy to help you.

OREI Live Technical Support Hours

US team (US/Canada/Mexico): Monday-Friday, 9 a.m. - 5 p.m. Central Time

Support Email - info@orei.com | **Support Number** - 877-290-5530



**USB 3.2 Extender
up to 330 feet**

USB3-EX330R-K

www.orei.com

© 2024