

H23042 (ORE01) 说明书 : 0106020147652

备注

材质: 100克书纸

尺寸: 107.95x139.7mm

装订方式: 骑马钉



**4K@60Hz HDMI & KVM
Over 1G IP Extender
up to 120M**

USER MANUAL

UHD-EXM500-KVM

Follow us on Youtube
and Facebook



www.orei.com

Table of Contents

1.	Introduction	Page 04
2.	Features	Page 05
3.	Package Contents	Page 06
4.	Specifications	Page 07
5.	Operation Controls and Functions	Page 10
6.	Application Example	Page 12
7.	FAQs & Troubleshooting	Page 14

Thank you for purchasing this product

Thank you for purchasing this product. For optimum performance and safety, please read these instructions carefully before connecting, operating or adjusting this product. Please keep this manual for future reference.

Surge protection device recommended

This product contains sensitive electrical components that may be damaged by electrical spikes, surges, electric shock, lightning strikes, etc. Use of surge protection systems is highly recommended in order to protect and extend the service life of your equipment.

Please Activate your warranty by registering our product through the link below - www.orei.com/register

Technical Support

Need Help?

Our experienced Technical Support Team is here for you to answer your questions, give technical advice or help troubleshoot your project to get you installed on time and on budget. Call, email or chat with us now.

OREI Live Technical Support Hours

US team (US/Canada/Mexico): Monday-Friday, 9 a.m. - 6 p.m. Central Time **Support Email** - info@orei.com | **Support Number** - 877-290-5530

Or

Chat Live on www.orei.com

Send us an instant message now. Our Technical Support Team will respond momentarily. Available during live support hours.

Introduction

The UHD-EXM500-KVM is a 4K HDMI KVM Extender over Cat6/7 that can take not just an HDMI signal, but also a USB signal over ethernet up to 500 feet. You can connect a PC to the extender kit and be able to control it from up to 500 feet away using a set of keyboard, mouse, and monitor. The device features support for resolutions up to 4K@60Hz and an HDMI Loop output on the Transmitter to connect a local display. Moreover, the Transmitter and Receiver can be connected directly in a one-to-one connection or through a network switch in a one-to-many connection. It also features an RS-232 port for easy control through commands. This device is perfect for home or office setups, or even in commercial applications such as manufacturing units.



1. Features ipcolor STREAM technology for high-definition audio/video transmission with low latency.
2. Video resolutions up to 4K@60Hz.
3. Compatible with Cat5e/6 or above network cables. For optimum performance use a CAT6 round shielded cable.
4. Features KVM extension allowing you to control a PC remotely through a set of keyboard and mouse.
5. Supports one-to-one or one-to-many connections through a network switch.
6. Additional Receivers can be added to the setup via a network switch or through a network switch cascade as well.
7. Features HDMI output on the Transmitter to connect a display near the source.
8. The device also supports control through RS-232.
9. Micro USB ports on the device can be used for Firmware upgrades.
10. Lightning protection, surge protection, ESD protection.

Package Contents

1.	Transmitter	1pc
2.	Receiver	1pc
3.	Screw	10pc
4.	Grounding Screw	1pc
5.	USB Cable	1pc
6.	RS-232 Terminal Block	2pc
7.	Mounting Ear	4pc
8.	Power Adapter (DC 5V/2A)	2pc
9.	User Manual	1pc

Specifications

Technical	
HDMI Compliance	HDMI 2.0
HDCP Compliance	HDCP 1.4/2.2
Video Bandwidth	18 Gbps
Video Resolution	4K@24/30/50/60Hz, 2K@50/60Hz, 2560x1600@60Hz, 1080P@50/60Hz, 720P@50/60Hz, 1920x1200@60Hz
Color Depth	RGB YUV 4:4:4 YUV 4:2:2 YUV 4:2:0
Color Space	8 Bit
Audio Formats	HDMI: LPCM 2.0 3.5MM L/R: PCM 2.0
Transmission Distance	≤ 120m / 500ft
Connection Type	One-to-one, one-to-many
ESD Protection	1a Contact discharge level 3 1b Air discharge level 3 Standard: IEC61000-4-2

Specifications

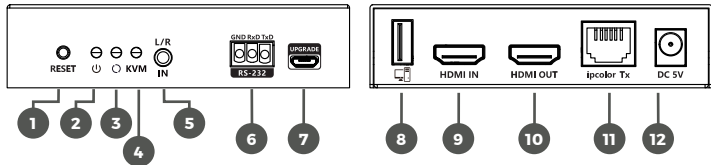
Connection	
Transmitter	<p>Input:</p> <ul style="list-style-type: none">1 × HDMI [Type A, 19-pin female]1 × L/R IN [3.5MM Jack]1 × RS-2321 × Upgrade [Micro-USB]1 × DC 5V [Power Input] <p>Output:</p> <ul style="list-style-type: none">1 × HDMI [Type A, 19-pin female]1 × CAT [RJ45]1 × USB [Type A, female]
Receiver	<p>Input:</p> <ul style="list-style-type: none">1 × CAT [RJ45]2 × USB [Type A, female]1 × RS-2321 × Upgrade [Micro-USB]1 × DC 5V [Power Input] <p>Output:</p> <ul style="list-style-type: none">1 × HDMI [Type A, 19-pin female]1 × L/R OUT [3.5MM Jack]

Specifications

Mechanical	
Housing	Iron
Silkscreen Color	Black
Dimensions	106mm [L] x 103mm [W] x 20.6mm [H]
Weight	TX: 315g / 11.1oz, RX: 307g / 10.9oz
Power Supply	Input: AC 100-240V 50/60Hz, Output: DC 5V/2A (US/EU standards, CE/FCC/UL certified)
Power Consumption	TX ≤ 5.5W, RX ≤ 4W
Operating Temperature	-20°C ~ 60°C / -4°F ~ 140°F
Storage Temperature	-30~70 C / -22°F ~ 158°F
Relative Humidity	0~90% RH (non-condensing)

Operation controls and functions

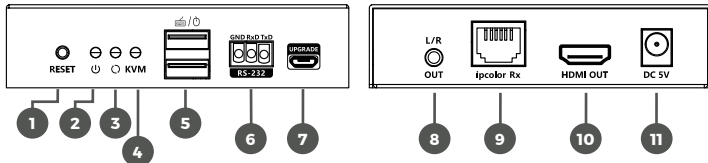
Transmitter



No.	Name	Function
1.	Reset	To Factory Reset the unit
2.	Power indicator (Blue)	The indicator will light up Blue when the device is powered on
3.	Status indicator (Orange)	a) Light off: No connection between Transmitter and Receiver b) Slow flash: Connection successful but no video transmission c) Quick flash: Connection successful but no video transmission d) Steady: Signal transmission normal
4.	KVM indicator	a) Flashing: Connection in progress b) Steady: Connection successful
5.	L/R IN	Connect to the 3.5mm audio output of the media source
6.	RS-232	Used for RS-232 command control
7.	Micro-USB port	Used for firmware upgrade
8.	USB-A port	Connect a computer or laptop through its USB port
9.	HDMI input	Connect a media source device such as a Computer, Laptop, etc.
10.	HDMI out	Connect a display device such as a TV, Monitor, etc.
11.	CAT OUT	CAT output to connect a CAT5e/6 cable.
12.	DC5V Barrel Connector	Barrel connection to connect the power adapter

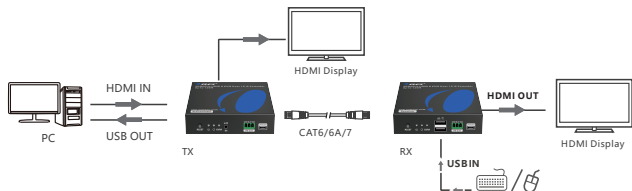
Operation controls and functions

Receiver

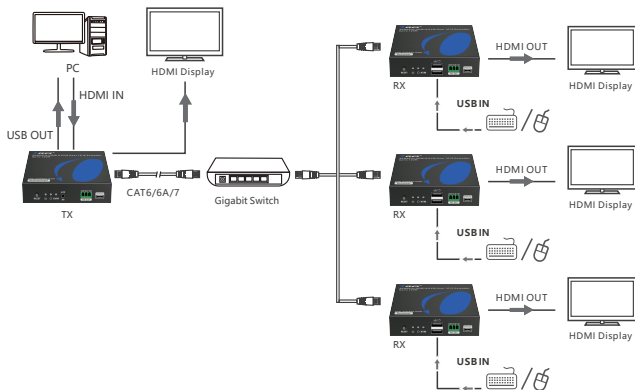


No.	Name	Function
1.	Reset	To Factory Reset the unit
2.	Power indicator (Blue)	The indicator will light up when the device is connected to the power adapter
3.	Status indicator (Orange)	a) Light off: No connection between Transmitter and Receiver b) Slow flash: Connection successful but no video transmission c) Quick flash: Connection successful but no video transmission d) Steady: Signal transmission normal
4.	KVM indicator	a) Flashing: Connection in progress b) Steady: Connection successful
5.	USB-A port	Connect a mouse and a keyboard
6.	RS-232	Used for RS-232 command control
7.	Micro-USB port	Used for firmware upgrade
8.	L/R OUT	Connect to an audio device such as a speaker or home theatre system
9.	CAT IN	CAT input to connect a CAT5e/6 cable.
10.	HDMI out	Connect a display device such as a TV, Monitor, etc.
11.	DC5V Barrel Connector	Barrel connection to connect the power adapter

One-to-one Connection:

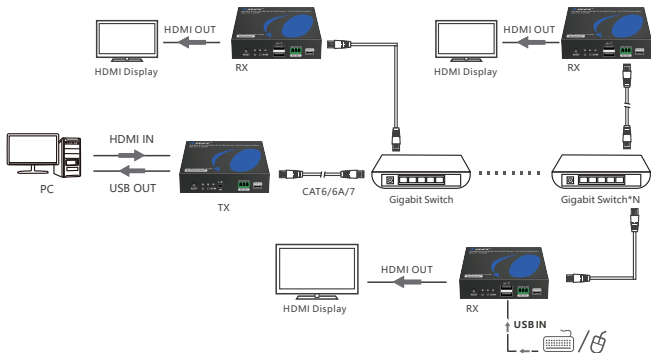


One-to-many Connection (Through Network Switch):



Application Example

One-to-many Connection (Cascade of Network Switches):



FAQs & Troubleshooting

No Video Output from the Receiver End

Try the following:

1. Check if the Power and Link indication LEDs are lighting on both ends
2. Change the HDMI cable going to the display
3. Change the CAT cable
4. Check if the HDMI OUT on the Transmitter is working or not
5. Try pressing the Reset button on the Receiver

No Video Output from the Receiver End and the Transmitter HDMI OUT

Try the following:

1. Check if the Power and Link indication LEDs are lighting on both ends
2. Change the HDMI cables
3. Change the CAT cable
4. Check if the HDMI OUT on the Transmitter is working or not

Not getting 4K@60Hz output on the Receiver end

Try the following:

1. Check if the settings on the display are set to 4K
2. Change the HDMI cable to one that supports 4K@60Hz
3. Check the length of the CAT cable. If it is longer than 120M, 4K resolution will not transmit perfectly
4. Check if the HDMI OUT on the Transmitter is working or not
5. Check if the video output setting from the source is set to 4K

FAQs & Troubleshooting

Can I extend multiple screen with this product?

No, this product does not extend to multiple screens. It will duplicate the input sources to multiple outputs.

Can I extend beyond the mentioned distance?

Yes, you will be able to get a signal beyond the mentioned distance but the quality of the video decreases with increase in the distance and that too when using with shielded CAT6 cable.

How can I upgrade the firmware?

You can upgrade the firmware by connecting the PC & this device via a Micro-USB cable. Check the 'Downloads' section on the product page on the website for firmware updates.

Can I input the output of this product to another extender implement a daisy chain setup?

Yes, you can daisy chain this extender with another set of the same model. However, this model supports One-to-many Over IP connection, so you only need to purchase additional Receivers to add more displays.

What types of HDMI & CAT cables I should use with this product?

We recommend you to use High-Quality HDMI cables under 30 feet & Round-Shielded CAT6 cables.

FAQs & Troubleshooting

How can I purchase additional Transmitter & Receivers?

You can check out our website to purchase replacement parts or contact our support team through the 'Contact Us' page and they will help you out.

I am unable to get the remote to work with IR, how to connect the IR Blaster & IR Receiver?

The IR Blaster should be connected to the IR out port on the Transmitter and the IR Receiver should be connected to the IR in on the Receiver.

Here's a quick overview of how the IR connection works on our extenders:



Still have some questions?

Please feel free to contact us at: info@orei.com. OR Fill out the form on the 'Contact Us' page on the website.

Our team will be more than happy to help you.

OREI Live Technical Support Hours

US team (US/Canada/Mexico): Monday-Friday, 9 a.m. - 6 p.m. Central Time **Support Email** - info@orei.com | **Support Number** - 877-290-5530



**4K@60Hz HDMI & KVM Over 1G IP
Extender up to 120M
UHD-EXM500-KVM**

www.orei.com

© 2024