



UHDS-104A

**1x4 HDMI 2.0 Splitter with
Scaler and Audio Extraction**

*Follow us on Youtube
and Facebook*

USER MANUAL



www.orei.com

Table of Contents

Introduction	04
Features	05
Package Contents	05
Specifications	06
Operation Controls and Functions	08
Application Example	10

Thank you for purchasing this product

Thank you for purchasing this product. For optimum performance and safety, please read these instructions carefully before connecting, operating or adjusting this product. Please keep this manual for future reference.

Surge protection device recommended

This product contains sensitive electrical components that may be damaged by electrical spikes, surges, electric shock, lightning strikes, etc. Use of surge protection systems is highly recommended in order to protect and extend the service life of your equipment.

Please Activate your warranty by registering our product through the link below - www.orei.com/register

Technical Support

Need Help?

Our experienced Technical Support Team is here for you to answer your questions, give technical advice or help troubleshoot your project to get you installed on time and on budget. Call, email or chat with us now.

OREI Live Technical Support Hours

US team (US/Canada/Mexico): Monday-Friday, 9 a.m. - 6 p.m. Central Time

Support Email - info@orei.com | **Support Number** - 877-290-5530

Or

Chat Live on www.orei.com

Send us an instant message now. Our Technical Support Team will respond momentarily. Available during live support hours.

Introduction

The UHDS-104A can distribute one HDMI source to four HDMI displays simultaneously with video resolutions up to 4K@60Hz (4:4:4) and HDCP 2.2 support. The product supports audio de-embedding from HDMI signal source to optical and analog audio output ports. Built-in EDID DIP switch supports advanced EDID management (AUTO/COPY). The output ports support signal pass-through and video downscale (4K->1080P) functions.



1. HDMI 2.0b and HDCP 2.2/HDCP 1.4 compliant
2. Supports video resolution up to 4K@50/60Hz (4:4:4)
3. Supports audio de-embedding from HDMI signal source to optical and analog audio output ports.
4. Supports signal pass-through and video downscale (4K->1080P) functions via the dial switch on panel
5. EDID management supports two modes: COPY and AUTO
6. Supports analog audio PCM 2.0
7. Supported optical audio pass-through formats - LPCM 2.0/2.1/5.1CH, Dolby 5.1, Dolby True HD, Dolby DD+, DTS 5.1, DTS-ES 6/DTS-HDMA 5.1, DTS HD-HRA 5.1

Package Contents

1.	UHDS-104A	1 pcs
2.	5V/1A Power Adapter	1 pcs
3.	User Manual	1 pcs

Specifications

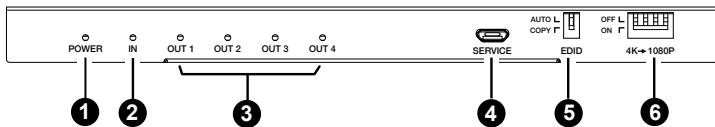
Technical	
HDMI Compliance	HDMI 2.0b
HDCP Compliance	HDCP 2.2 and HDCP 1.4
Video Bandwidth	18Gbps
Video Resolution	720P50/60Hz, 1080P50/60Hz, 4K2K24Hz, 4K2K30Hz, 4K2K@50/60Hz (4:4:4)
Color Depth	4K60Hz 8-bit, 1080P 12-bit
Color Space	RGB, YCbCr 4:4:4, YCbCr 4:2:2
L/R Audio Formats	PCM 2.0
HDMI Audio Formats	LPCM, Dolby Digital/Plus/EX, Dolby True HD, DTS, DTS-EX, DTS-96/24, DTS High Res, DTS-HD Master Audio, DSD
Optical Audio Formats	LPCM [2.0/2.1]CH, Dolby 5.1, Dolby True HD, Dolby DD+, DTS 5.1, DTS-ES 6, DTS-HDMA 5.1, DTS HD-HRA 5.1
ESD Protection	Human-body Model: $\pm 8\text{kV}$ (Air-gap discharge), $\pm 4\text{kV}$ (Contact discharge)
Connection	
Input	1 \times HDMI IN [Type A, 19-pin female]
Output	1 \times OPTICAL OUT [S/PDIF] 1 \times L/R OUT [3.5mm Stereo Mini-jack] 4 \times HDMI OUT [Type A, 19-pin female]
Control	1 \times SERVICE [Micro USB, Update port]

Specifications

Mechanical	
Housing	Metal Enclosure
Silkscreen Color	Black
Dimensions	180mm (W) × 62mm (D) × 14mm (H)
Weight	227g
Power Consumption	3.5W (Max)
Power Supply	Input: AC 100-240V 50/60Hz Output: DC 5V/1A (US/EU standards, CE/FCC/UL certified)
Operating Temperature	32-104°F / 0-40°C
Storage Temperature	-4-140°F / -20-60°C
Relative Humidity	20-90% RH (Non-condensing)

Operation Controls and Functions

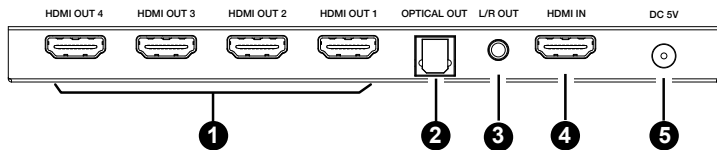
Front Panel



No.	Name	Function Description
1.	POWER LED	The blue LED will be on, when the device is powered on.
2.	HDMI IN LED	HDMI input signal indicator. The blue LED will be on, when there is signal input from the HDMI IN port.
3.	HDMI OUT LED (1-4)	HDMI output signal indicators. The corresponding blue LED will be on, when the HDMI OUT 1/2/3/4 port connects to a display and outputs signals.
4.	SERVICE	Firmware update port. (Manufacturer use only.)
5.	EDID	Use the DIP switch to set EDID. <ul style="list-style-type: none">• AUTO: Compares the EDID setting of the display devices which are connected to HDMI OUT 1 - 4 ports respectively, and then transmits the optimal EDID information to the source device. Then the source device transmits the EDID information to all the output devices.• COPY: Copy the EDID setting of the display device which is connected to the HDMI OUT 1 port to the source device. Then the source device transmits the EDID information to all the output devices. Note: If no EDID setting is detected at OUT 1 port, it will copy the EDID of OUT 2/3/4. The priority order is OUT 1 - OUT 4.
6.	Dial switch (4K->1080P)	<ul style="list-style-type: none">• When switch to "OFF", the signal input and output are in pass-through status;• When switch to "ON", the input signal will be downscaled (4K->1080P), and then output.

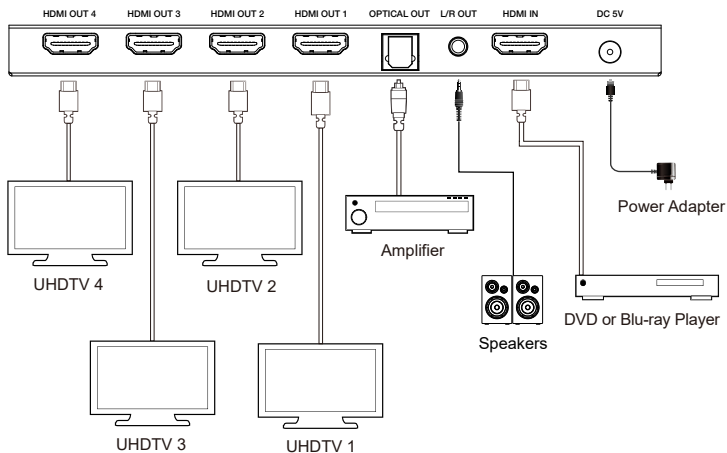
Operation Controls and Functions

Rear Panel



No.	Name	Function Description
1.	HDMI OUT (1~4)	Connect to HDMI display device, such as TVs or monitors.
2.	OPTICAL OUT	Optical audio output port, connects to an amplifier, and outputs audio from the HDMI IN port.
3.	L/R OUT	Analog audio output port, connects to a speaker, and outputs audio from the HDMI IN port.
4.	HDMI IN	HDMI signal input port, connects to a HDMI source device, such as DVD or PS5.
5.	DC 5V	DC 5V Power input port.

Application Example



HDMI[™]
HIGH-DEFINITION MULTIMEDIA INTERFACE

The terms HDMI and HDMI High-Definition Multimedia interface, and the HDMI Logo are trademarks or registered trademarks of HDMI Licensing LLC in the United States and other countries.



**1x4 HDMI 2.0 Splitter with
Scaler and Audio Extraction**

www.orei.com

© 2023