



HDMI over IP Extender with USB KVM Function (150M)

USER MANUAL

EX-330-KVM

Follow us on Youtube
and Facebook



www.orei.com

Table of Contents

Introduction	04
Features	05
Package Contents	05
Specifications	06
Operation Controls and Functions	08
Application Example	11

Thank you for purchasing this product

Thank you for purchasing this product. For optimum performance and safety, please read these instructions carefully before connecting, operating or adjusting this product. Please keep this manual for future reference.

Surge protection device recommended

This product contains sensitive electrical components that may be damaged by electrical spikes, surges, electric shock, lightning strikes, etc. Use of surge protection systems is highly recommended in order to protect and extend the service life of your equipment.

Please Activate your warranty by registering our product through the link below - www.orei.com/register

Technical Support

Need Help?

Our experienced Technical Support Team is here for you to answer your questions, give technical advice or help troubleshoot your project to get you installed on time and on budget. Call, email or chat with us now.

OREI Live Technical Support Hours

US team (US/Canada/Mexico): Monday-Friday, 9 a.m. - 6 p.m. Central Time **Support Email** - info@orei.com | **Support Number** - 877-290-5530

Or

Chat Live on www.orei.com

Send us an instant message now. Our Technical Support Team will respond momentarily. Available during live support hours.

Introduction

HDMI over IP Extender adopts standard H.265 encoding / decoding. It can distribute one HD content to one HD display device or to multiple HD display devices over a standard 1G network switcher, and extends distance up to 150m/492ft between encoder and decoder via a Cat5e/6 cable. It offers configurable high quality, low-bandwidth H.265 compression video. Input video resolution is up to 1920×1200@60Hz; Output video resolution is up to 1080P@60Hz. It also supports USB KVM function and one-way IR control signal transmission.

HDMI over IP Extender includes two units: Encoder and Decoder. Encoder is responsible for obtaining HDMI signals for encoding, and transmitting via CAT5e / 6 cables. Decoder is responsible for signal decoding and outputting HDMI signals to HD displays. The product offers the most convenient solution for HDMI extension over a single Cat5e/6 cable and is the perfect solution for any application.



1. HDCP 1.4 compliant
2. Support 6.75Gbps video bandwidth
3. Input video resolution is up to 1920×1200@60Hz YCbCr 4:4:4;
Output video resolution is up to 1080P@60Hz YCbCr 4:4:4
4. Extend transmission distance up to 150m/492ft between encoder and decoder via a single Cat5e/6 cable
5. Adopt standard H.265 encoding / decoding
6. Support 1G standard IP switcher / router / hub
7. Support one-way IR control signal transmission
8. With USB KVM function
9. Compact design for easy and flexible installation

Package Contents

1.	HDMI over IP Extender (Encoder)	1 pcs
2.	HDMI over IP Extender (Decoder)	1 pcs
3.	IR Blaster cable (1.5 meters)	1 pcs
4.	20~60KHz IR Receiver cable (1.5 meters)	1 pcs
5.	5V/1A Power Supply (US standard)	2 pcs
6.	User Manual	1 pcs

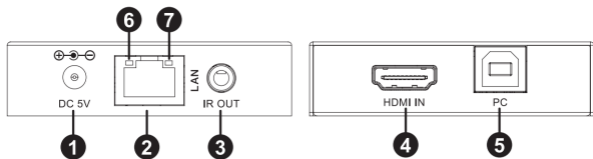
Specifications

Technical	
HDCP Compliance	HDCP 1.4
USB Version	USB 1.1
Video Bandwidth	6.75Gbps
Video Resolution	Input: Up to 1920×1200@60Hz Output: Up to 1080P@60Hz
HDMI Audio Formats	Input: LPCM 2.0CH 32KHz/44.1KHz/48KHz Output: LPCM 2.0CH 48KHz
IR Frequency	20Hz ~ 60KHz
Compression Technology	H.265
Request for Switcher /Router	Support 1 GMP, Support DHCP
Color Space	RGB, YCbCr 4:4:4, YCbCr 4:2:2
Color Depth	8/10/12-bit
ESD Protection	Human-body Model: ±8kV (Air-gap discharge), ±4kV (Contact discharge)
Connection	
Encoder	Inputs: 1×HDMI IN [Type A, 19-pin female] Outputs: 1×LAN [RJ45 connector] Control: 1×IR OUT [3.5mm Stereo Mini-jack] 1×USB [USB-B, female]
Decoder	Inputs: 1×LAN [RJ45 connector] Outputs: 1×HDMI OUT [Type A, 19-pin female] Control: 1×IR IN [3.5mm Stereo Mini-jack] 2×USB [USB-A, female]

Mechanical	
Housing	Metal Enclosure
Silkscreen Color	Black
Dimensions	67mm (W) × 91.5mm (D) × 17.5mm (H)
Weight	Encoder: 155g, Decoder: 150g
Power Supply	Input: AC100 - 240V 50/60Hz Output: DC 5V/1A
Power Consumption	Encoder: 2.9W, Decoder: 3.65W (Max)
Operation Temperature	-10°C ~ 50°C / 14°F ~ 122°F
Storage Temperature	-20°C ~ 60°C / -4°F ~ 140°F
Relative Humidity	20-90% RH (non-condensing)
Resolution / Distance	1920x1200@60Hz - Feet / Meter
CAT 5e/6 cable	492ft / 150 meters
Resolution / Cable length	1920x1200@60Hz - Feet / Meter
HDMI IN / OUT	50ft / 15 meters

Operation Controls and Functions

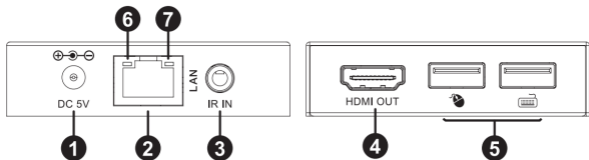
Encoder Panel



No.	Name	Function Description
1.	DC 5V	5V 1A input port for power supply.
2.	LAN	The LAN port is connected to decoder's LAN port or connected to switcher / router / hub with CAT cable.
3.	IR OUT	Connect to IR blaster cable. The IR blaster signal is from IR IN of decoder.
4.	HDMI IN	HDMI source input port for connecting the HDMI source device.
5.	PC	Connect to PC. The PC can be controlled for USB port of decoder. (KVM function)
6.	Data signal indicator (orange)	The lamp flickers when the LAN port is transmitting signal.
7.	Power LED indicator (green)	The lamp is on when encoder is powered on.

Operation Controls and Functions

Decoder Panel

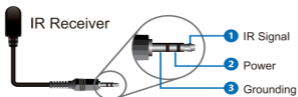
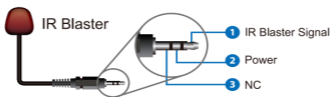


No.	Name	Function Description
1.	DC 5V	5V 1A input for power supply.
2.	LAN	The LAN port is connected to encoder's LAN port or connected to switcher / router / hub with CAT cable.
3.	IR IN	Connect to IR receiver cable. The IR signal is sent to IR OUT port of encoder.
4.	HDMI OUT	HDMI output port for connecting the HDMI display device.
5.	Two USB port	USB 1.1 for connecting mouse and USB keyboard.
6.	Data signal indicator (orange)	The lamp flickers when the LAN port is transmitting signal.
7.	Power LED indicator (green)	The lamp is on when decoder is powered on.

Operation Controls and Functions

IR Pin Definition

IR Receiver and Blaster pin's definition as below:



Note: When the angle between the IR receiver and the remote control is $\pm 45^\circ$, the transmission distance is 0-5 meters; when the angle between the IR receiver and the remote control is $\pm 90^\circ$, the transmission distance is 0-8 meters.

Application Example

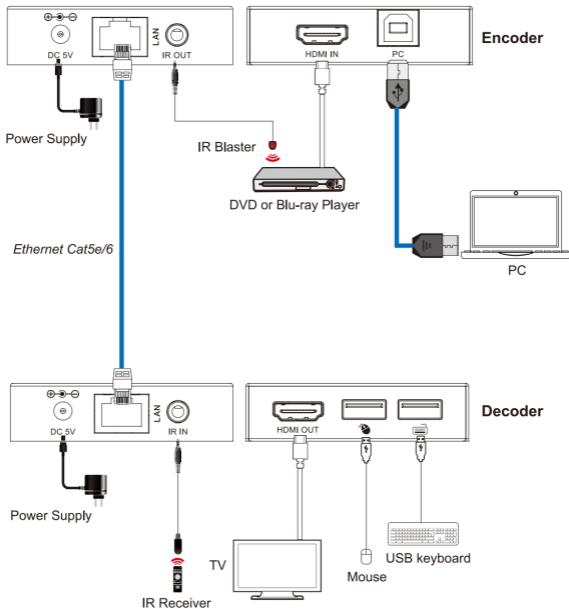


Figure 1: Encoder directly connects to Decoder

Application Example

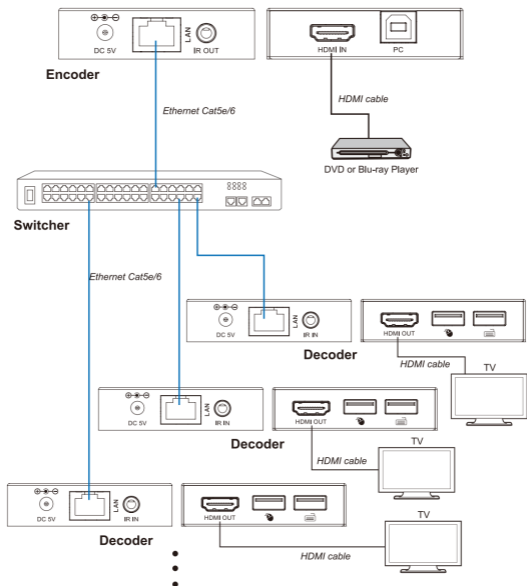


Figure 2: Encoder connects to Decoder via a switcher
(one Encoder to multiple Decoders)



**HDMI over IP Extender with
USB KVM Function (150M)**

www.orei.com

© 2023